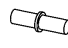





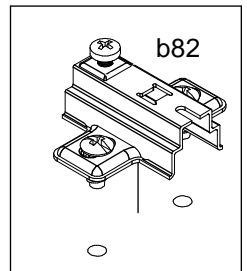
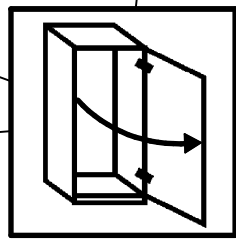
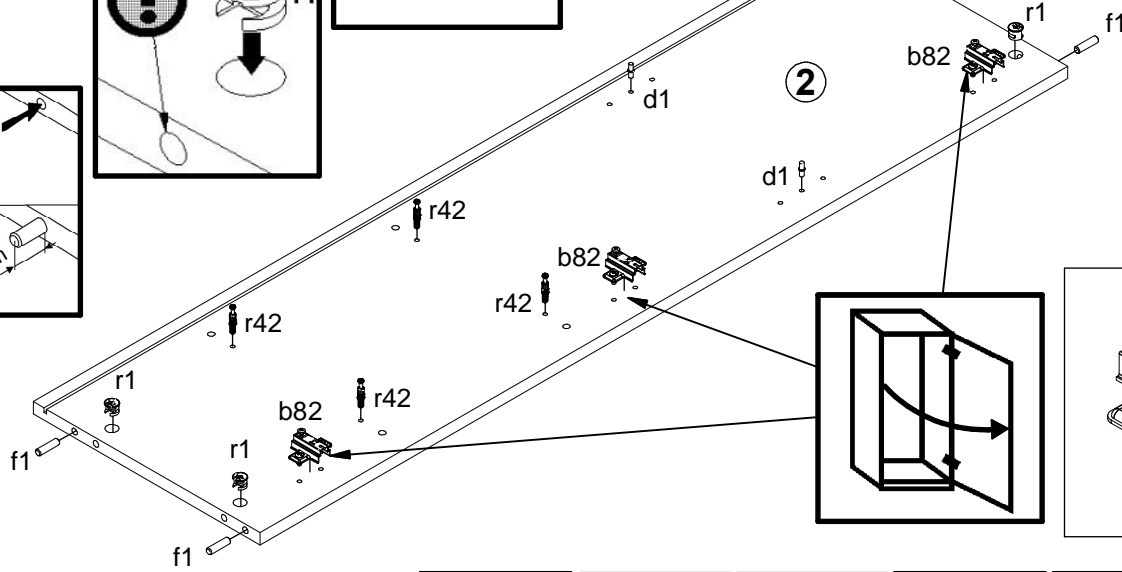
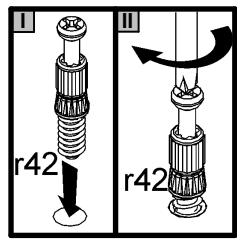
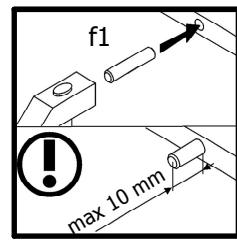
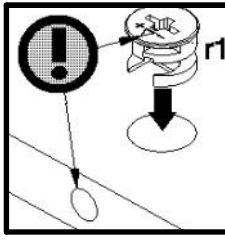
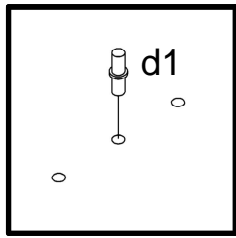
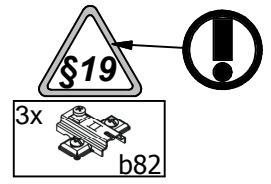
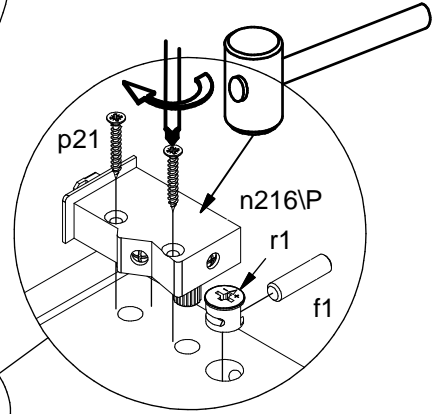
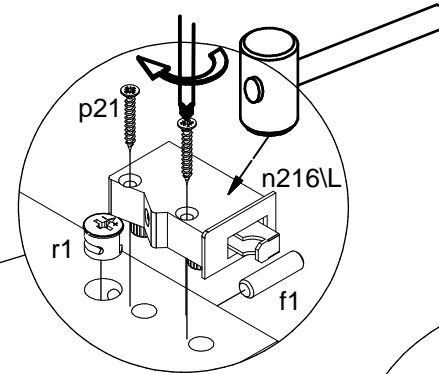
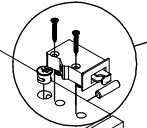
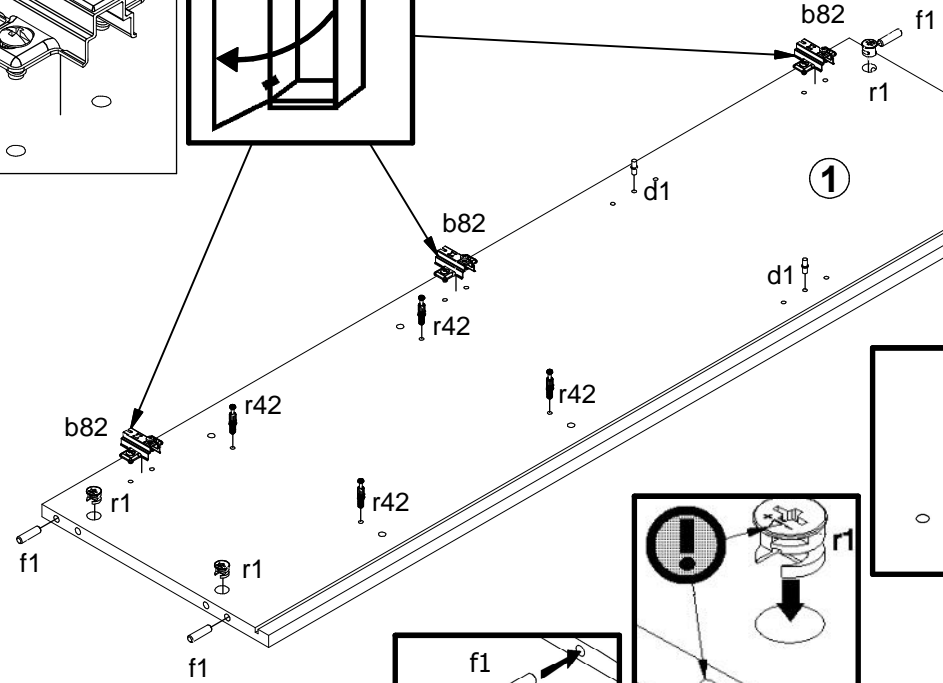
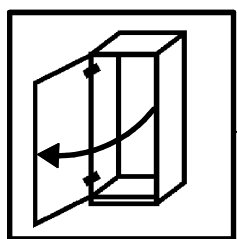
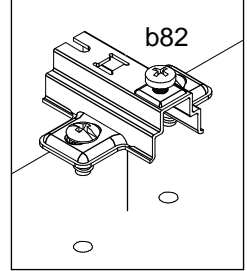








1	S507-1003	1210	340	1/1
2	S507-1004	1210	340	1/1
3	S507-2003	400	363	1/1
4	S507-3005	367	320	1/1
5	S507-3006	367	320	1/1
6	S507-3007	366	310	1/1
7	S507-7003	736	396	1/1
8	S507-7004	241	396	1/1
9	S507-7802	255,	396,	1/1
10	S507-9003	715	377	1/1
11	S507-9004	282	377	1/1
12	S507-9005	221	377	1/1

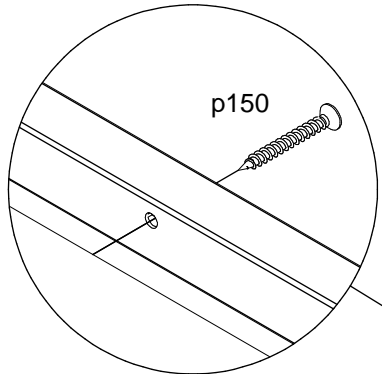
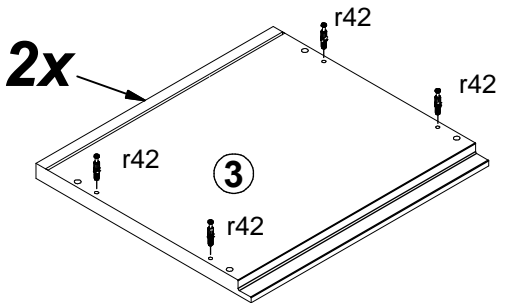
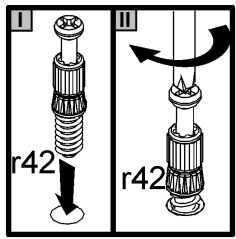
3x a158	1x a133	3x b82
1x 96mm c418	4x Ø5x17 mm d1	16x Ø8x30 mm f1
2x M4x25 mm j8	8x l2	6x 20x13x3,5/1 n108
1x n216/L	1x n216/P	4x Ø4x30 mm p21
6x Ø3,5x15 mm p51	6x Ø2,9x16 mm p55	2x Ø2x8 mm p123
8x Ø4x50 mm p150	16x Ø15x12 mm #16 r1	16x Ø10x12 mm #16 r42
16x Ø 20mm s68	3x Ø35x62x40x10 s71	
1x o86/1	1x o86/2	1x o80/3
		1x o80/12
4x Ø10x50 mm f35	2x n217	4x Ø5x60 mm p17



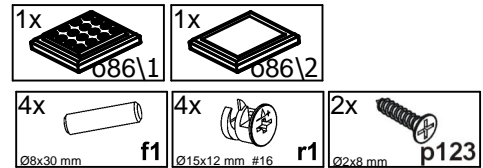
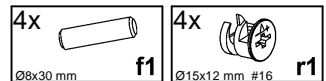
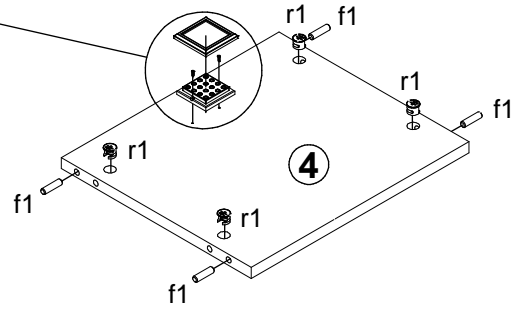
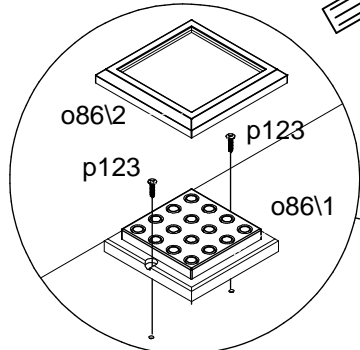
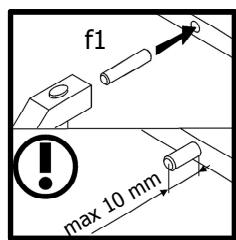
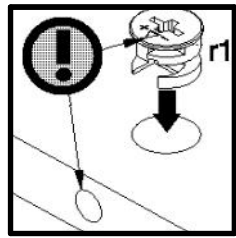
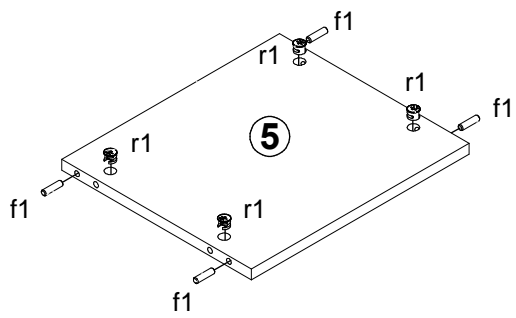
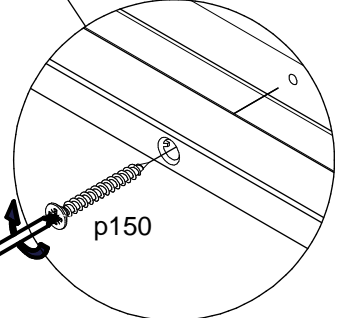
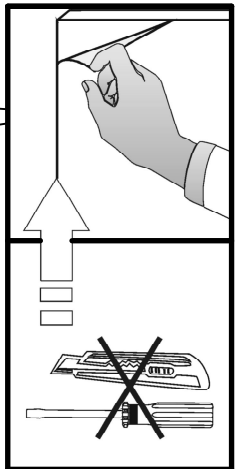
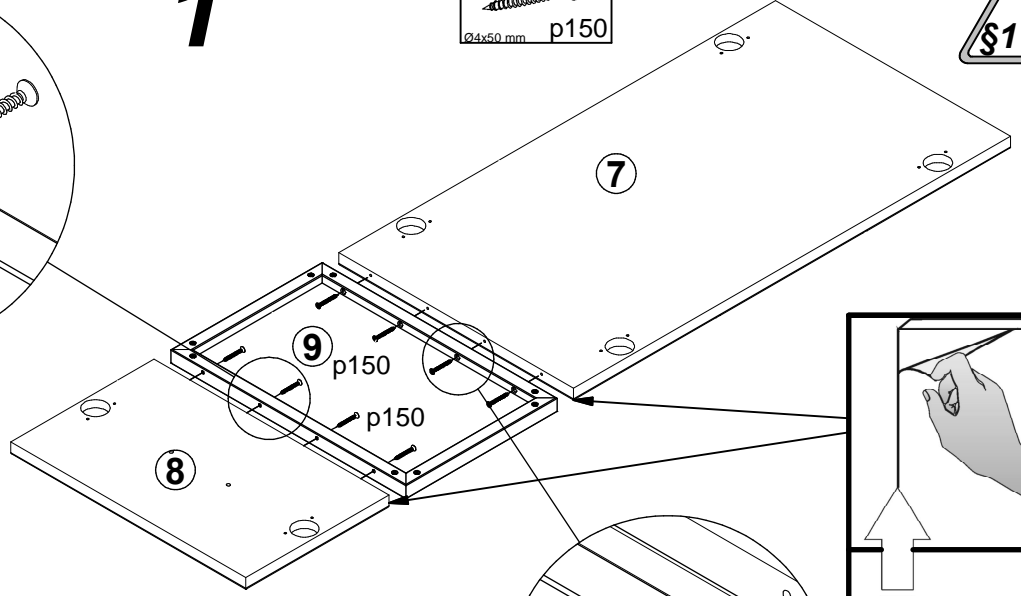
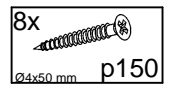
- 2x  d1 $\varnothing 5 \times 17$ mm
- 4x  r1 $\varnothing 15 \times 12$ mm #16
- 4x  f1 $\varnothing 8 \times 30$ mm
- 1x  n216L
- 2x  p21 $\varnothing 4 \times 30$ mm
- 4x  r42 20/11



- 4x  r42 20/11
- 2x  p21 $\varnothing 4 \times 30$ mm
- 1x  n216P
- 2x  d1 $\varnothing 5 \times 17$ mm
- 4x  r1 $\varnothing 15 \times 12$ mm #16
- 4x  f1 $\varnothing 8 \times 30$ mm



1

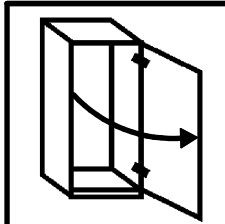


A

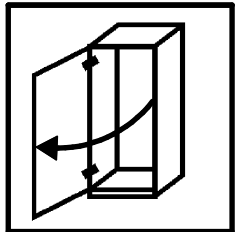
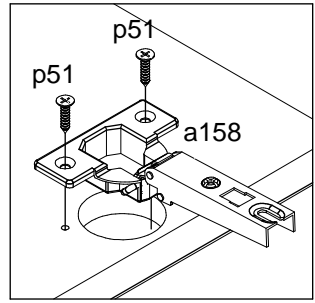
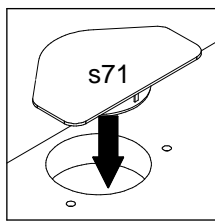
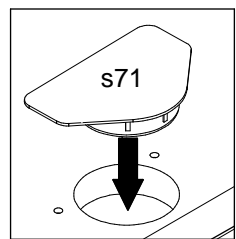
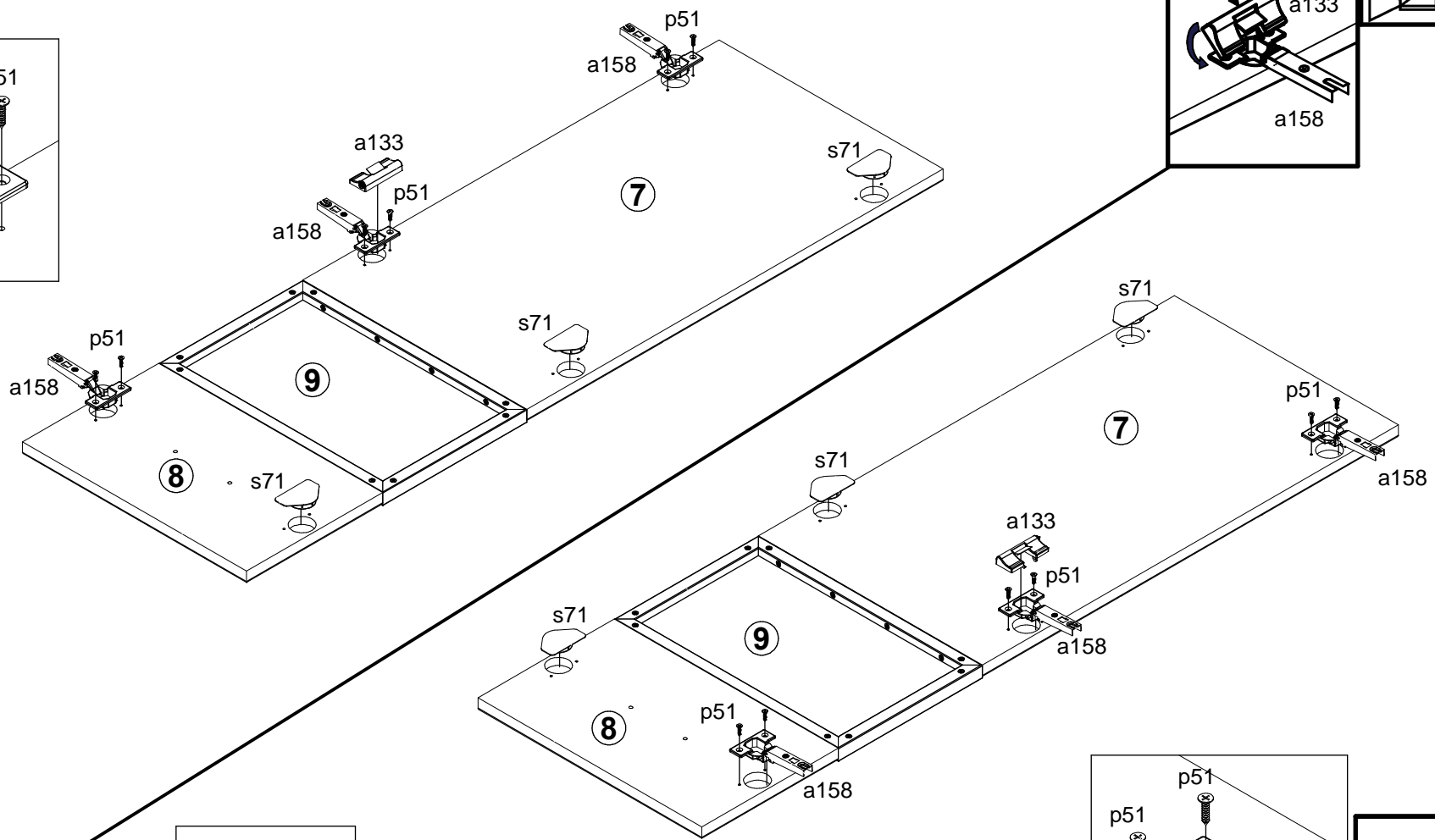
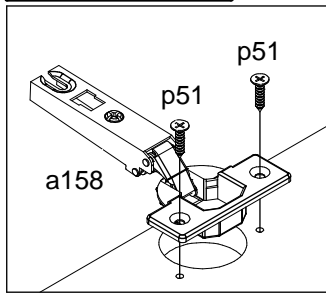
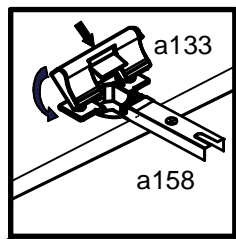
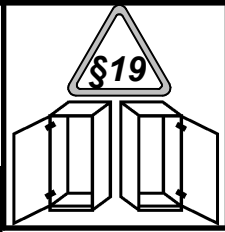
S507-SFW1W/13/4

10 H9 -- 10

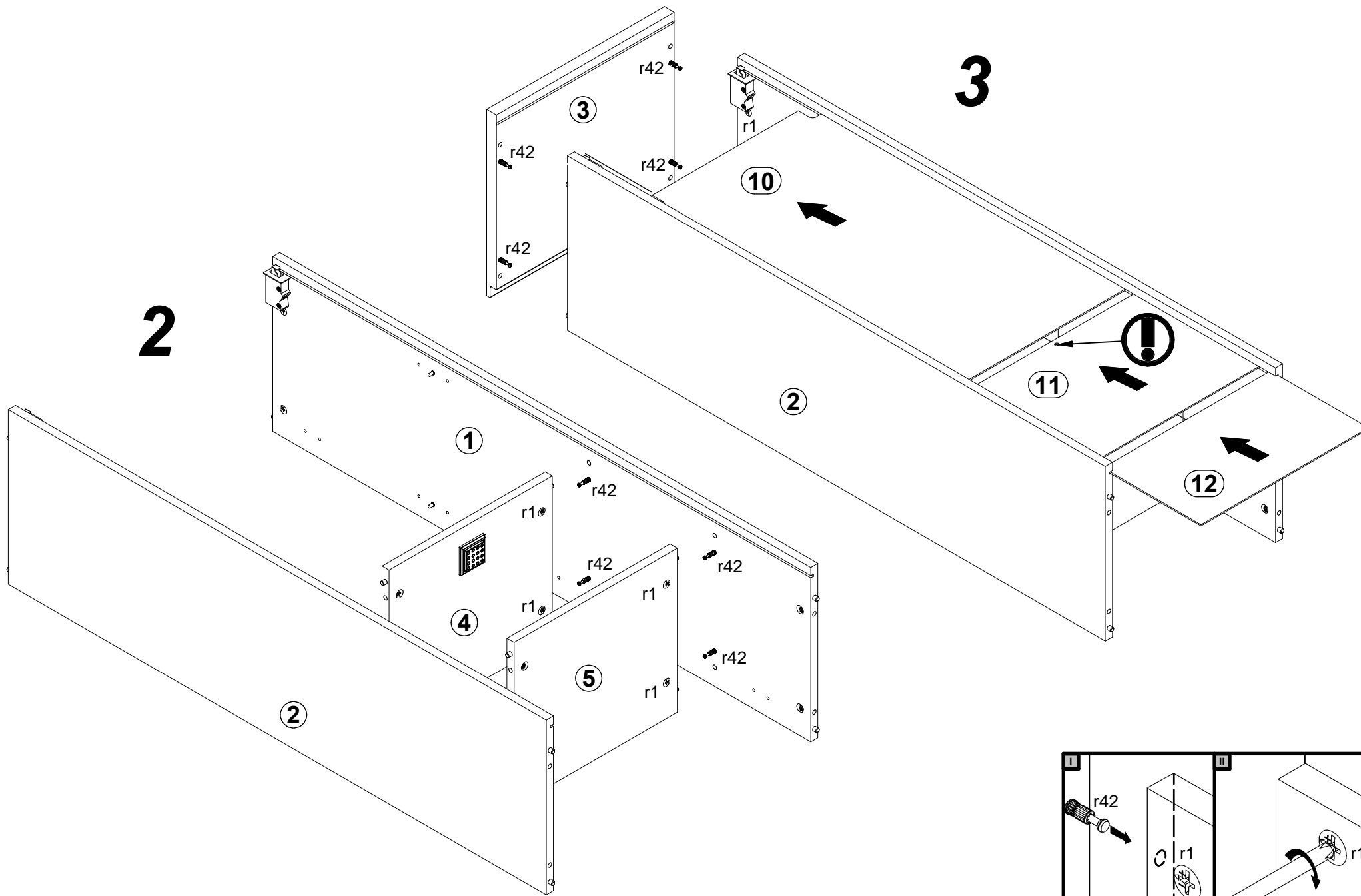
5 / 9

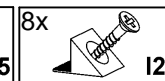
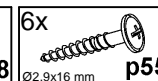
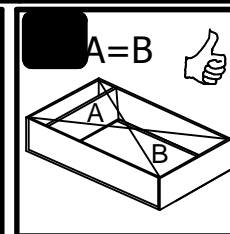
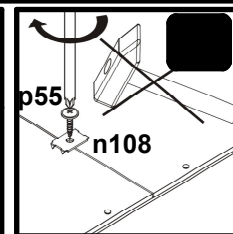
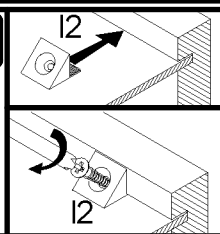
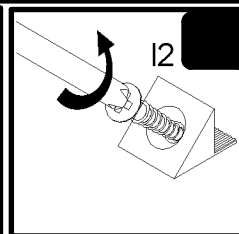
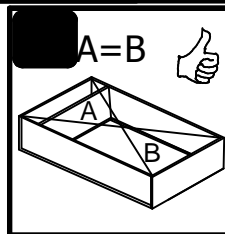


1

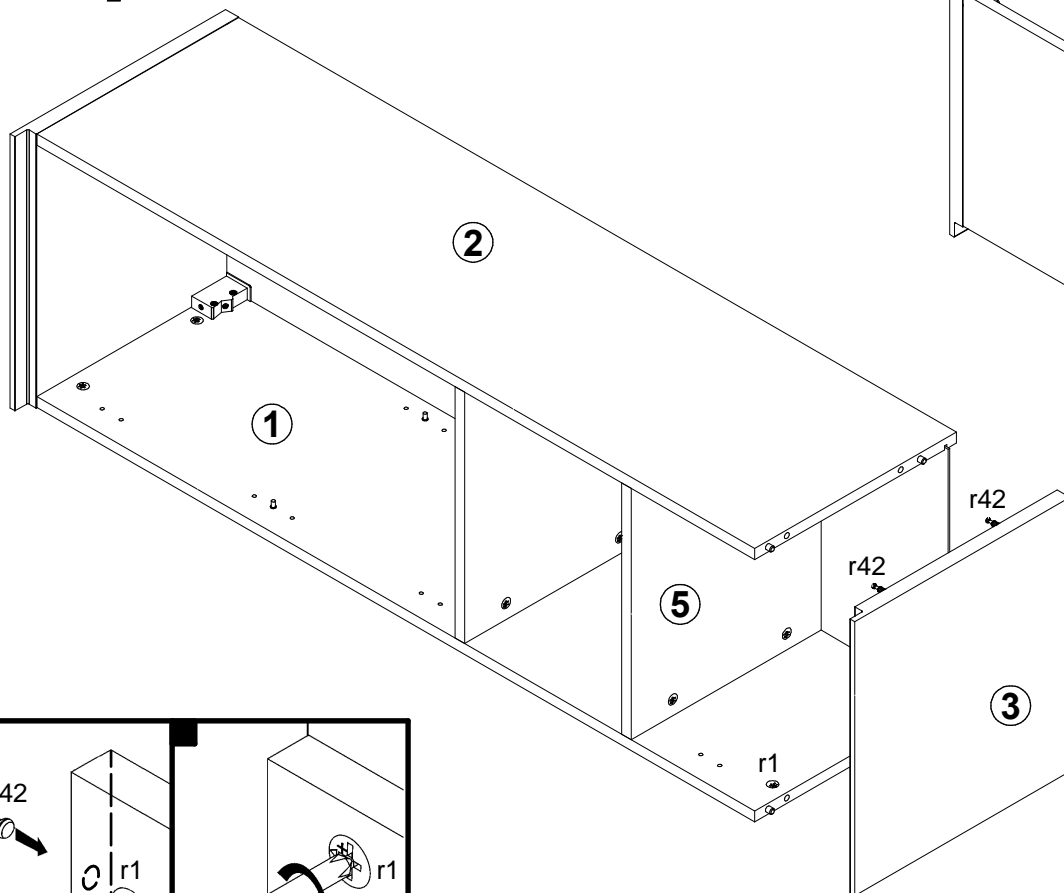


- 3x a158
 - 1x a133
 - 6x p51
 - 3x s71
- Ø3,5x15 mm

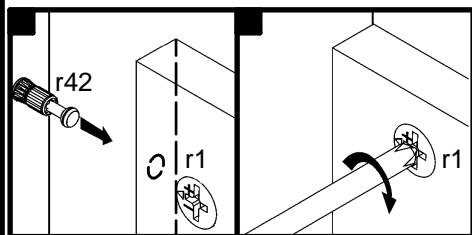
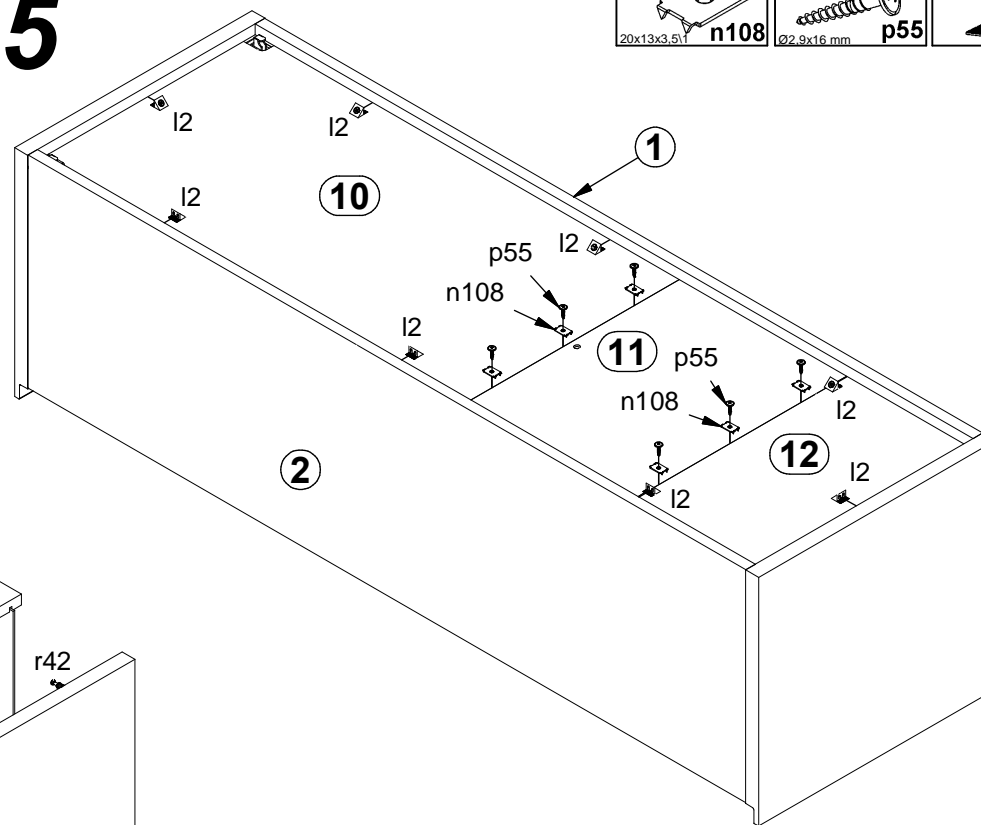


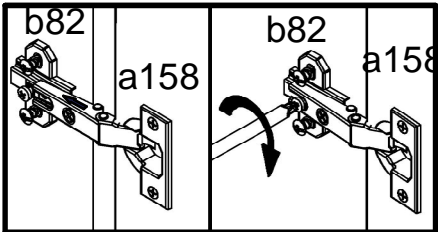


4

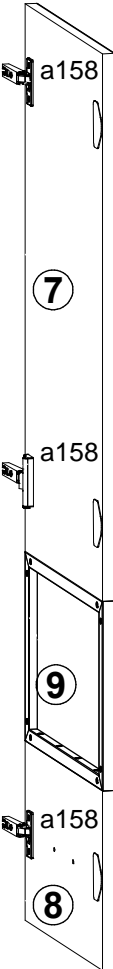
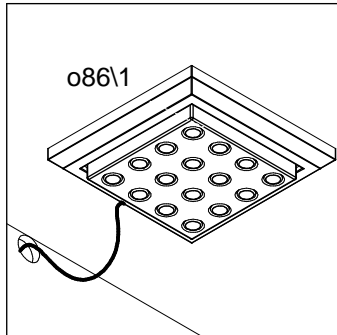
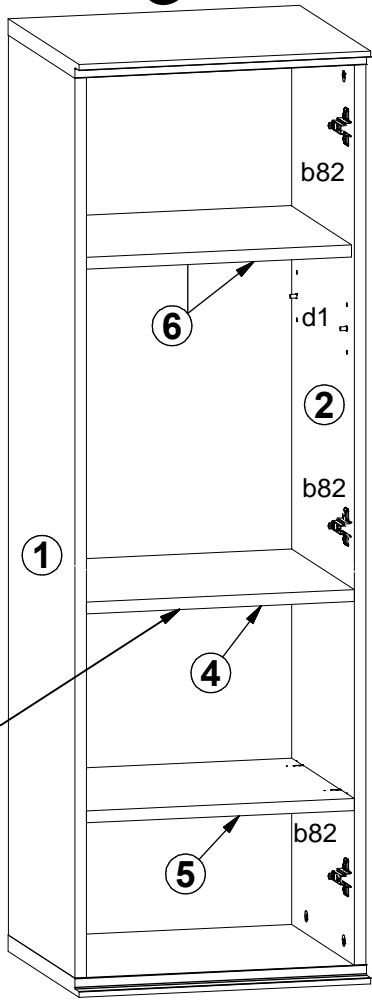


5

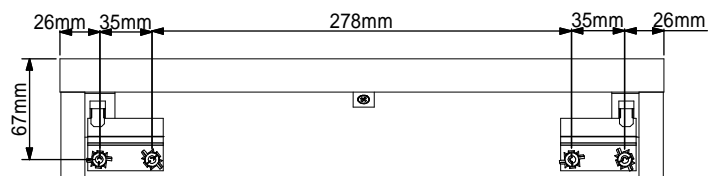
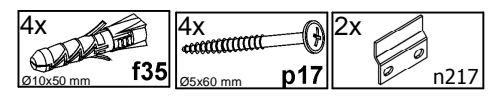
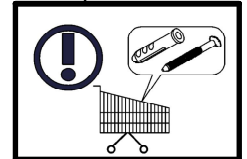
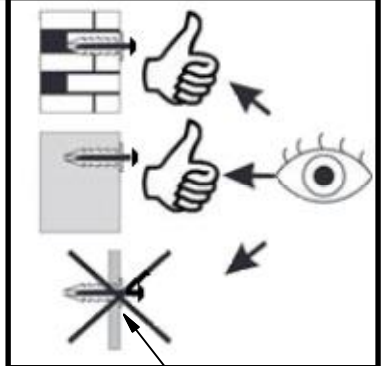
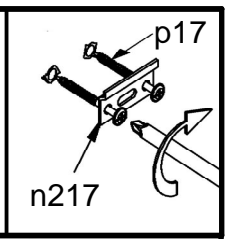
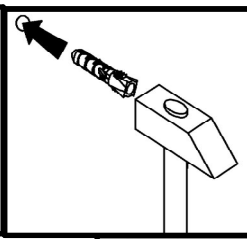
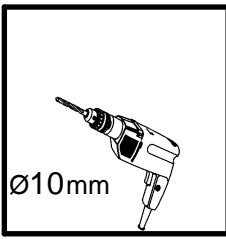
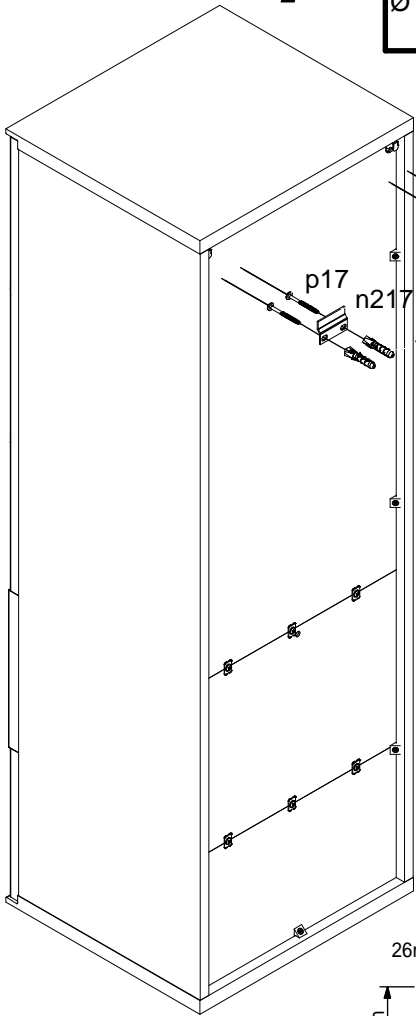




6



7



8

